

**6.2 x 6.5mm Tact Switch (Vertical, SMT Type)**

TSF-12/13/14/15S-XXX

TS - Tact Switch

F - F Series

12 / 13 / 14 / 15 - Type

S - SMT Type

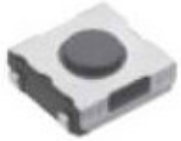
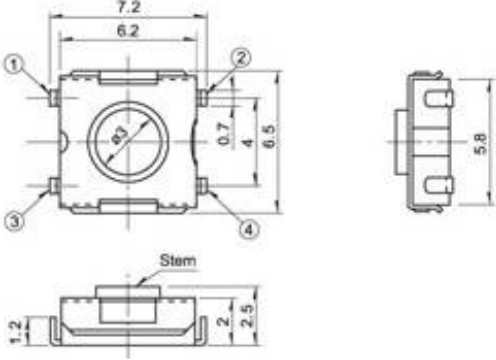
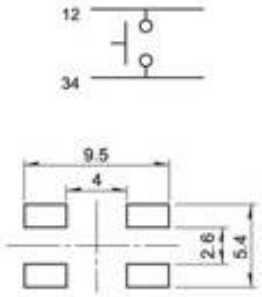

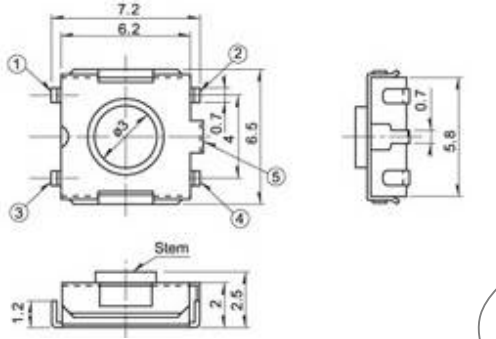
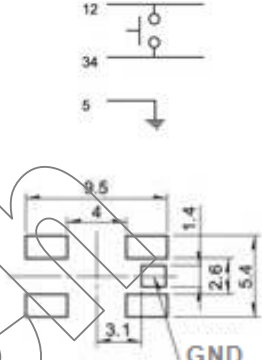

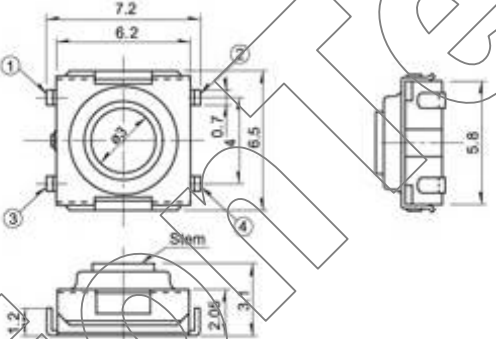
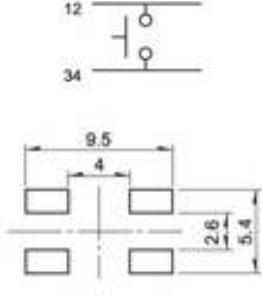

XXX - Action Force (gram)

**SPECIFICATIONS**

Mechanical Life:	500,000 cycles for 100g±50g 300,000 cycles for 160g±50g 100,000 cycles for 250g±50g
Operating Force:	100g±50g, 160g±50g, 250g±50g
Travel:	0.25±0.1mm
Rating:	50mA 12V DC
Dielectric Withstanding:	250V AC/minute
Insulator Resistance:	≥ 100 MΩ at 100V
Contact Resistance:	≤ 100 mΩ/Contact
Operating Temperature:	-20°C ~ +70°C
Storage Temperature:	-40°C ~ +85°C

**Material**

Base:	LCP, UL94V-0
Contact material:	Phosphor Bronze
Contact Spring Plating:	Stainless Steel/Silver Plating

Physical Picture	Outline Drawing	Circuit
 <p>TSF-12S-XXX</p>		
 <p>TSF-13S-XXX</p>		
 <p>TSF-14S-XXX</p>		
 <p>TSF-15S-XXX</p>	